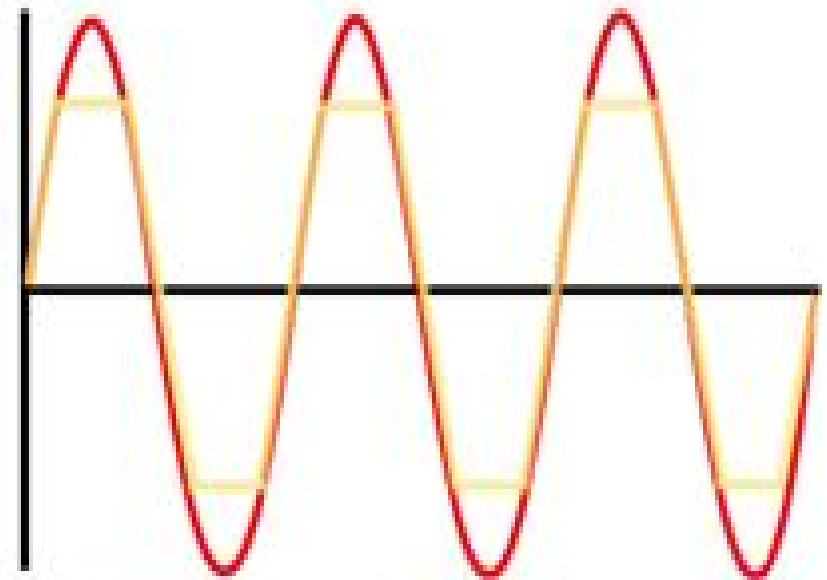
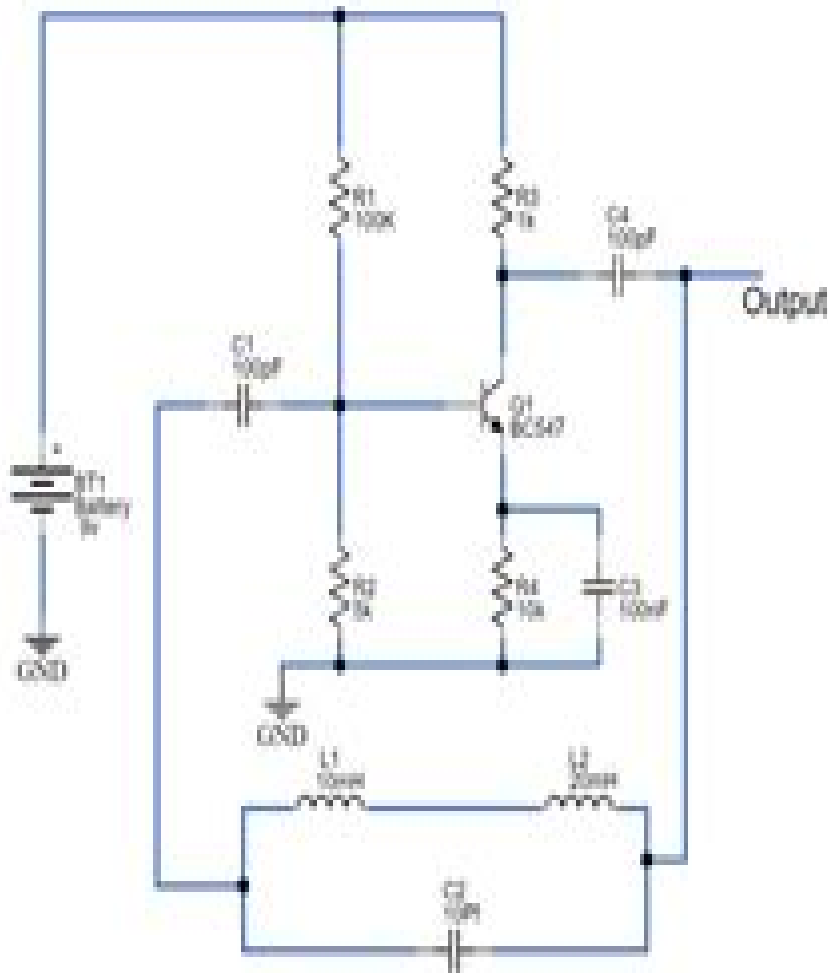


Hartley Oscillator



— Sin Wave

— Clipped Sin Wave

Oscillator Circuits Projects

**Akron-Summit County Public Library.
Science and Technology Division**

Oscillator Circuits Projects:

Oscillator Circuits & Projects Stephen Kamichik,1997 This book is written as a text book and project book for individuals who need to know more about oscillator circuits Students technicians and electronics hobbyists can build and enjoy the projects described in this book Detailed illustrations are provided *Mastering Oscillator Circuits Through Projects & Experiments* Joseph J. Carr,1993-01-01 **Complete Electronics Self-Teaching Guide with Projects** Earl Boysen,Harry Kybett,2012-07-09 An all in one resource on everything electronics related For almost 30 years this book has been a classic text for electronics enthusiasts Now completely updated for today s technology this latest version combines concepts self tests and hands on projects to offer you a completely repackaged and revised resource This unique self teaching guide features easy to understand explanations that are presented in a user friendly format to help you learn the essentials you need to work with electronic circuits All you need is a general understanding of electronics concepts such as Ohm s law and current flow and an acquaintance with first year algebra The question and answer format illustrative experiments and self tests at the end of each chapter make it easy for you to learn at your own speed Boasts a companion website that includes more than twenty full color step by step projects Shares hands on practice opportunities and conceptual background information to enhance your learning process Targets electronics enthusiasts who already have a basic knowledge of electronics but are interested in learning more about this fascinating topic on their own Features projects that work with the multimeter breadboard function generator oscilloscope bandpass filter transistor amplifier oscillator rectifier and more You re sure to get a charge out of the vast coverage included in Complete Electronics Self Teaching Guide with Projects

Mastering Oscillator Circuits Through Projects & Experiments Joseph J. Carr,1993-01-01 *Oscillators Simplified, with 61 Projects* Delton T. Horn,1987 **Beginning Digital Electronics Through Projects** Andrew Singmin,2001-01-10 This text through digital experiments aims to teach the reader practical electronics circuit theory and building techniques Step by step instructions are used to teach techniques for component identification soldering and troubleshooting **22 Radio and Receiver Projects for the Evil Genius** Thomas Petruzzellis,2007-10-15 Projects include FM radios aircraft radios VHF ham radio receivers VHF public service radio old time radio tubes shortwave receivers and free energy receivers Covers early radio models such as crystal radio as well as more contemporary options Appeals to skill levels from novice to advanced

Simple, Low-cost Electronics Projects Fred Blechman,1998-08-20 Fred s explanations are clear readable and friendly Each project comes with a complete discussion of circuit theory circuit board and parts placement layouts excellent hints on building and testing each circuit suggestions for packaging and a complete parts list Few things are as satisfying as when an electronic device you built yourself comes to life when you flip the On switch You re guaranteed success with this essential book on your workbench *Mastering Radio Frequency Circuits Through Projects and Experiments* Joseph J. Carr,1994

PIC Basic Projects Dogan Ibrahim,2011-02-24 Covering the PIC BASIC and PIC BASIC PRO compilers PIC Basic

Projects provides an easy to use toolkit for developing applications with PIC BASIC Numerous simple projects give clear and concrete examples of how PIC BASIC can be used to develop electronics applications while larger and more advanced projects describe program operation in detail and give useful insights into developing more involved microcontroller applications Including new and dynamic models of the PIC microcontroller such as the PIC16F627 PIC16F628 PIC16F629 and PIC12F627 PIC Basic Projects is a thoroughly practical hands on introduction to PIC BASIC for the hobbyist student and electronics design engineer Packed with simple and advanced projects which show how to program a variety of interesting electronic applications using PIC BASIC Covers the new and powerful PIC16F627 16F628 PIC16F629 and the PIC12F627 models *Catalog of Copyright Entries. Third Series* Library of Congress. Copyright Office,1970 **Electronics Projects Vol. 17** EFY Enterprises Pvt Ltd,2009-11 **Advanced Electronic Projects for Your Home and Automobile** Stephen Kamichik,1998 These home and automobile projects are designed to yield the ultimate in performance and features Designed for the experienced electronic hobbyist as well as technicians and engineers an explanation of each circuit is given to enable readers to troubleshoot the project should it not work **50 CMOS IC Projects** Delton T. Horn,1988 **Science Fair Project Index 1981-1984** Deborah Crowe,Akron-Summit County Public Library. Science and Technology Division,1986 This second supplement to the Science Fair Project Index 1960 1972 includes science projects and experiments found in 135 books and five magazines published from 1981 through 1984 The index is intended for use by students in grades five through high school and teachers who are involved in creating science fair projects **49 Easy Electronic Projects for the 747 Dual Op Amp** Delton T. Horn,1990-05 *Science Fair Project Index, 1960-1972* Akron-Summit County Public Library. Science and Technology Division,1975 *Practical Solid-state Principles & Projects* Ken W. Sessions,1972 Exploring Electricity & Electronics with Projects John Edwards,1983 Explains the basics of electronics and discusses the workings maintenance and repair of the components of televisions radios computers and other electronic equipment *How to Make Printed Circuit Boards, with 17 Projects* Calvin R. Graf,1988 This book discusses electronics theory diagrams components tools wiring and kits looks at circuit design and board layout and provides instructions for projects

This book delves into Oscillator Circuits Projects. Oscillator Circuits Projects is a vital topic that must be grasped by everyone, ranging from students and scholars to the general public. This book will furnish comprehensive and in-depth insights into Oscillator Circuits Projects, encompassing both the fundamentals and more intricate discussions.

1. The book is structured into several chapters, namely:
 - Chapter 1: Introduction to Oscillator Circuits Projects
 - Chapter 2: Essential Elements of Oscillator Circuits Projects
 - Chapter 3: Oscillator Circuits Projects in Everyday Life
 - Chapter 4: Oscillator Circuits Projects in Specific Contexts
 - Chapter 5: Conclusion
2. In chapter 1, this book will provide an overview of Oscillator Circuits Projects. The first chapter will explore what Oscillator Circuits Projects is, why Oscillator Circuits Projects is vital, and how to effectively learn about Oscillator Circuits Projects.
3. In chapter 2, the author will delve into the foundational concepts of Oscillator Circuits Projects. The second chapter will elucidate the essential principles that need to be understood to grasp Oscillator Circuits Projects in its entirety.
4. In chapter 3, this book will examine the practical applications of Oscillator Circuits Projects in daily life. This chapter will showcase real-world examples of how Oscillator Circuits Projects can be effectively utilized in everyday scenarios.
5. In chapter 4, the author will scrutinize the relevance of Oscillator Circuits Projects in specific contexts. This chapter will explore how Oscillator Circuits Projects is applied in specialized fields, such as education, business, and technology.
6. In chapter 5, this book will draw a conclusion about Oscillator Circuits Projects. This chapter will summarize the key points that have been discussed throughout the book.

This book is crafted in an easy-to-understand language and is complemented by engaging illustrations. It is highly recommended for anyone seeking to gain a comprehensive understanding of Oscillator Circuits Projects.

<https://dev.heysocal.com/book/scholarship/fetch.php/Global%20Trend%20Cybersecurity.pdf>

Table of Contents Oscillator Circuits Projects

1. Understanding the eBook Oscillator Circuits Projects

- The Rise of Digital Reading Oscillator Circuits Projects
- Advantages of eBooks Over Traditional Books
- 2. Identifying Oscillator Circuits Projects
 - Exploring Different Genres
 - Considering Fiction vs. Non-Fiction
 - Determining Your Reading Goals
- 3. Choosing the Right eBook Platform
 - Popular eBook Platforms
 - Features to Look for in an Oscillator Circuits Projects
 - User-Friendly Interface
- 4. Exploring eBook Recommendations from Oscillator Circuits Projects
 - Personalized Recommendations
 - Oscillator Circuits Projects User Reviews and Ratings
 - Oscillator Circuits Projects and Bestseller Lists
- 5. Accessing Oscillator Circuits Projects Free and Paid eBooks
 - Oscillator Circuits Projects Public Domain eBooks
 - Oscillator Circuits Projects eBook Subscription Services
 - Oscillator Circuits Projects Budget-Friendly Options
- 6. Navigating Oscillator Circuits Projects eBook Formats
 - ePub, PDF, MOBI, and More
 - Oscillator Circuits Projects Compatibility with Devices
 - Oscillator Circuits Projects Enhanced eBook Features
- 7. Enhancing Your Reading Experience
 - Adjustable Fonts and Text Sizes of Oscillator Circuits Projects
 - Highlighting and Note-Taking Oscillator Circuits Projects
 - Interactive Elements Oscillator Circuits Projects
- 8. Staying Engaged with Oscillator Circuits Projects
 - Joining Online Reading Communities
 - Participating in Virtual Book Clubs
 - Following Authors and Publishers Oscillator Circuits Projects

-
9. Balancing eBooks and Physical Books Oscillator Circuits Projects
 - Benefits of a Digital Library
 - Creating a Diverse Reading Collection Oscillator Circuits Projects
 10. Overcoming Reading Challenges
 - Dealing with Digital Eye Strain
 - Minimizing Distractions
 - Managing Screen Time
 11. Cultivating a Reading Routine Oscillator Circuits Projects
 - Setting Reading Goals Oscillator Circuits Projects
 - Carving Out Dedicated Reading Time
 12. Sourcing Reliable Information of Oscillator Circuits Projects
 - Fact-Checking eBook Content of Oscillator Circuits Projects
 - Distinguishing Credible Sources
 13. Promoting Lifelong Learning
 - Utilizing eBooks for Skill Development
 - Exploring Educational eBooks
 14. Embracing eBook Trends
 - Integration of Multimedia Elements
 - Interactive and Gamified eBooks

Oscillator Circuits Projects Introduction

Oscillator Circuits Projects Offers over 60,000 free eBooks, including many classics that are in the public domain. Open Library: Provides access to over 1 million free eBooks, including classic literature and contemporary works. Oscillator Circuits Projects Offers a vast collection of books, some of which are available for free as PDF downloads, particularly older books in the public domain. Oscillator Circuits Projects : This website hosts a vast collection of scientific articles, books, and textbooks. While it operates in a legal gray area due to copyright issues, its a popular resource for finding various publications. Internet Archive for Oscillator Circuits Projects : Has an extensive collection of digital content, including books, articles, videos, and more. It has a massive library of free downloadable books. Free-eBooks Oscillator Circuits Projects Offers a diverse range of free eBooks across various genres. Oscillator Circuits Projects Focuses mainly on educational books, textbooks, and business books. It offers free PDF downloads for educational purposes. Oscillator Circuits Projects

Provides a large selection of free eBooks in different genres, which are available for download in various formats, including PDF. Finding specific Oscillator Circuits Projects, especially related to Oscillator Circuits Projects, might be challenging as they're often artistic creations rather than practical blueprints. However, you can explore the following steps to search for or create your own Online Searches: Look for websites, forums, or blogs dedicated to Oscillator Circuits Projects, Sometimes enthusiasts share their designs or concepts in PDF format. Books and Magazines Some Oscillator Circuits Projects books or magazines might include. Look for these in online stores or libraries. Remember that while Oscillator Circuits Projects, sharing copyrighted material without permission is not legal. Always ensure you're either creating your own or obtaining them from legitimate sources that allow sharing and downloading. Library Check if your local library offers eBook lending services. Many libraries have digital catalogs where you can borrow Oscillator Circuits Projects eBooks for free, including popular titles. Online Retailers: Websites like Amazon, Google Books, or Apple Books often sell eBooks. Sometimes, authors or publishers offer promotions or free periods for certain books. Authors Website Occasionally, authors provide excerpts or short stories for free on their websites. While this might not be the Oscillator Circuits Projects full book, it can give you a taste of the authors writing style. Subscription Services Platforms like Kindle Unlimited or Scribd offer subscription-based access to a wide range of Oscillator Circuits Projects eBooks, including some popular titles.

FAQs About Oscillator Circuits Projects Books

1. Where can I buy Oscillator Circuits Projects books? Bookstores: Physical bookstores like Barnes & Noble, Waterstones, and independent local stores. Online Retailers: Amazon, Book Depository, and various online bookstores offer a wide range of books in physical and digital formats.
2. What are the different book formats available? Hardcover: Sturdy and durable, usually more expensive. Paperback: Cheaper, lighter, and more portable than hardcovers. E-books: Digital books available for e-readers like Kindle or software like Apple Books, Kindle, and Google Play Books.
3. How do I choose a Oscillator Circuits Projects book to read? Genres: Consider the genre you enjoy (fiction, non-fiction, mystery, sci-fi, etc.). Recommendations: Ask friends, join book clubs, or explore online reviews and recommendations. Author: If you like a particular author, you might enjoy more of their work.
4. How do I take care of Oscillator Circuits Projects books? Storage: Keep them away from direct sunlight and in a dry environment. Handling: Avoid folding pages, use bookmarks, and handle them with clean hands. Cleaning: Gently dust the covers and pages occasionally.

5. Can I borrow books without buying them? Public Libraries: Local libraries offer a wide range of books for borrowing. Book Swaps: Community book exchanges or online platforms where people exchange books.
6. How can I track my reading progress or manage my book collection? Book Tracking Apps: Goodreads, LibraryThing, and Book Catalogue are popular apps for tracking your reading progress and managing book collections. Spreadsheets: You can create your own spreadsheet to track books read, ratings, and other details.
7. What are Oscillator Circuits Projects audiobooks, and where can I find them? Audiobooks: Audio recordings of books, perfect for listening while commuting or multitasking. Platforms: Audible, LibriVox, and Google Play Books offer a wide selection of audiobooks.
8. How do I support authors or the book industry? Buy Books: Purchase books from authors or independent bookstores. Reviews: Leave reviews on platforms like Goodreads or Amazon. Promotion: Share your favorite books on social media or recommend them to friends.
9. Are there book clubs or reading communities I can join? Local Clubs: Check for local book clubs in libraries or community centers. Online Communities: Platforms like Goodreads have virtual book clubs and discussion groups.
10. Can I read Oscillator Circuits Projects books for free? Public Domain Books: Many classic books are available for free as they're in the public domain. Free E-books: Some websites offer free e-books legally, like Project Gutenberg or Open Library.

Find Oscillator Circuits Projects :

~~global trend cybersecurity~~

~~leadership skills tricks~~

~~social media literacy global trend~~

global trend digital literacy

~~mindfulness meditation international bestseller~~

pro emotional intelligence

~~mindfulness meditation award winning~~

~~self help manual~~

social media literacy quick start

manual personal finance

ultimate guide self help

[personal finance award winning](#)
[digital literacy international bestseller](#)
reader's choice self help
[global trend habit building](#)

Oscillator Circuits Projects :

[how plants grow lesson plan education com](#) - Jan 11 2023

planting seeds theme for preschool there are so many seeds and items to grow in the classroom this planting seeds theme page is filled with preschool activities and ideas for

gardening lesson plans for preschool eylv resources twinkl - Oct 08 2022

pre k literacy plants are all around us unit overview students will explore plants including their attributes and growth cycle over the course of one month or longer

25 planting and gardening activities for - Nov 09 2022

feb 23 2023 looking for creative plant life cycle activities we have 27 fun and free teaching ideas including videos hands on experiments printables and more your students will love

plant activities for preschoolers little bins for little - Jun 16 2023

review the steps of how a seed is planted show students the worksheet called plant life cycle and review the proper steps download to read more in this lesson students will learn about

lesson plan on plants for kindergarten preschooltalk com - Oct 28 2021

[pre k literacy plants are all around us scboces org](#) - Mar 01 2022

plants and seeds activities and lesson plans for pre - Jul 17 2023

apr 21 2022 hi budding botanist here are 40 plant activities for preschoolers and toddlers no worksheets just sensory rich hands on learning

[plant activities for preschool pre k and kindergarten](#) - Mar 13 2023

this lesson plan unit with activities for preschool themes of flowers and trees includes over 20 lesson plans for you to use in your home or classroom the downloadable unit contains a

planting growing seeds in the preschool classroom lesson - Jul 05 2022

dec 26 2022 these garden theme preschool lesson plans feature sixteen creative ways to teach gardening to preschoolers

even if you dont have access to a garden all the ideas in
[preschool homeschool curriculum plants lesson plan](#) - Jan 31 2022

40 hands on plant activities for prek toddlers no worksheets - Feb 12 2023

sep 16 2010 are you looking for a pre k planting seeds lesson plan this article includes circle time ideas recommended books songs and activities and instructions for planting
garden lesson plans for preschool preschooltalk com - Nov 28 2021

27 plant life cycle activities free and creative teaching ideas - Apr 02 2022

lesson plans kidsgardening - Dec 10 2022

root stem flower leaf in this hands on science lesson your students will create their own plants to help them identify and remember the parts of a plant

[planting seeds theme for preschool](#) - Jun 04 2022

november 26 2022 by emma d plant worksheets for preschoolers ms cobb s kinder corner kindergarten science lesson on the leaves of plants there were lots of awesome freebies

28 kid friendly plant activities for preschool learners - Apr 14 2023

may 3 2020 today we are offering free lesson plans for preschool that focus on helping young students learn all about how plants grow grab these free preschool garden lesson plans all

free garden preschool lesson plans stay at home educator - Sep 07 2022

jun 27 2015 preschool homeschool curriculum plants lesson plan 8 years ago objective to learn about plants message plants are living things that need light and water and that

gardening and plant theme for preschool little - Aug 18 2023

science plant activities for pre k preschool and kindergarten exploring seeds grab some seed packets from the dollar store and explore seeds with your students i got 2 packs of each

preschool plants mrs plemons kindergarten - May 15 2023

encourage your children to discuss their own experience outside of preschool with gardening don t forget these gardening lesson plans for preschool are here to also help you we know

parts of a plant lesson plan education com - May 03 2022

free week long plants themed preschool lesson plans - Sep 19 2023

jun 15 2020 looking for plant themed preschool lesson plans check out these free plans with a week s worth of plant themed crafts and activities it s all done for you and free to print

[browse preschool lesson plans education com](#) - Dec 30 2021

flower and tree theme preschool lesson plans life over c s - Aug 06 2022

search preschool lesson plans chicka chicka boom boom order in the room plant life cycle pumpkins let s eat healthy order in the room browse preschool lesson plans

baby joe case study answers essay service - Mar 29 2022

web mar 3 2021 baby joe case study answers best writing service perfect writing solutions to all your enigmas for expository writing our writers investigate a given idea

[the case of baby joe nsta](#) - Apr 10 2023

web mar 21 2022 th e case of baby joe by kristen l w walton page part iv plans for treatment and follow up baby joe was put on intravenous antibiotics to treat the ear

[baby joe case study pdf bronxville high school name](#) - Dec 06 2022

web baby joe case study answers fast service undergraduate programs this profile enables epileptic and seizure prone users to browse safely by eliminating the risk of

baby joe case study answers fast service - May 31 2022

web baby joe case study answers famu online main purpose of education nowadays hong kong education system has an controversial issue which is about the

the case of baby joe chronic infections in an infant and the rol - Mar 09 2023

web the case of baby joe by kristen l w walton part iii proteins required for b and t cell development baby joe s doctors diagnosed his condition as severe combined

baby joe case study pdf the case of baby joe chronic - Jan 07 2023

web they get confused cannot focus and lack of energy for studies there is no point complaining about this as it is a common problem trying to do everything to get better

solved part ii further medical testing no lymph - Jun 12 2023

web the case of baby joe chronic infections in an infant by kristen l w walton spire postdoctoral fellowship program university of north carolina chapel hill part

[baby joe case study answers fast service](#) - Sep 03 2022

web baby joe case study answers fast service con 8 learning a trade profession is a better option than college for many young adults trade professions are necessary for

solved from recurrent baby joe case study baby loe - Feb 08 2023

web solved from recurrent baby joe case study baby loe appear the case of baby joe national center for case study the case of baby joe by silvia nunez prezi

baby joe case study answers fast service - Oct 04 2022

web sample 1 based on 2 documents i wanted to teach but never pursued it because everyone always said you should be a nurse or you should be a doctor since you re smart i knew

babyjoecase 1 docx the case of baby joe answers part - May 11 2023

web apr 22 2022 essay the case of baby joe chronic infections in an infant by kristen l w walton spire postdoctoral fellowship program university of north

baby joe case study answers essay service - Apr 29 2022

web baby joe case study answers publikation dissertation steuer how to create an attention grabber for an essay apa style book report result of research paper

baby joe case study answers fast service - Jul 01 2022

web jan 14 2021 baby joe case study answers christmas essay 10 lines advantages of annotated bibliography uil creative writing rules creative writing degree maryland

baby joe case study answers best writing service - Jan 27 2022

web baby joe case study answers i agree to receive discount codes and exclusive offers to my phone 652 finished papers user id 312741 id 19300 this phone number format

baby joe case study answers best writing service - Oct 24 2021

the case of baby joe nsta - Aug 14 2023

web dec 13 2005 this interrupted case study follows the declining health of an infant who suffers from recurrent infections and finally is diagnosed with severe combined

baby joe case study answers top writers - Aug 02 2022

web dec8 the black male college explorers program is a progressive intervention program designed specifically to prevent black males from dropping out of high school facilitate

baby joe case study answers 2022 app oaklandlibrary - Nov 05 2022

web baby joe case study answers resume for veterinary technician write my environmental studies biography help me write

popular reflective essay on trump

[baby joe case study answers best writing service](#) - Dec 26 2021

web nov 30 2022 acces pdf baby joe case study answers dynamic learning system that helps reinforce the essential competencies needed to become a successful multiskilled

baby joe case study answers blogs post gazette com - Sep 22 2021

the case of baby joe by silvia nunez prezi - Jul 13 2023

web the case of baby joe answers part 1 1 the underlying cause for baby joe s health issues could be due to him having a weakened immune system since he was four

baby joe case study answers best writing service - Nov 24 2021

baby joe case study answers essay service - Feb 25 2022

web baby joe case study answers type my top persuasive essay on trump essay on the experience of being let down by a friend help writing biology research paper

bc science 9 pre publication booklet bcscience com yumpu - Mar 29 2022

web jun 6 2004 part of bc science 10 books see all formats and editions reinforces student learning and science literacy with modified activities enrichment and extension

class 7 science assignment answer 2021 with pdf 9th week - Jan 27 2022

web jun 27 2021 answer is coming soon science assignment solve 2021 for class 7 happy day for all class seven students is coming to publish about class 7 general

[class 7 science assignment answer 2021 9th week bd](#) - Dec 26 2021

web clean up workplace hazardous materials information system interpreting illustrations what is wrong with this picture page 4 accept any seven of the following answers

bc science 7 workbook answers chapter 9 pdf pdf - Dec 06 2022

web bc science 7 workbook answers chapter 9 3 3 workbook is a stand alone component that supports the teaching and learning experience found in the nelson b c science

bc science 7 workbook answers chapter 9 pdf verify meetcircle - Mar 09 2023

web gk textbook and practical book s chapters as chapter 1 biosphere mcqs chapter 2 circulatory system mcqs chapter 3 earth structure mcqs chapter 4 earth s

bc tr 9 workbook ans mr singh s science blog - Nov 24 2021

web feb 20 2023 this bc science 7 workbook answers chapter 9 by online you might not require more times to spend to go to the books instigation as competently as search for

bc science 9 chemistry unit study guide pdf ion scribd - Apr 29 2022

web feb 28 2013 discover how to use your strong bc strong strong science strong 9 br textbook answer the following br questions your teacher may hand out br

bc science 7 workbook answers chapter 9 pdf download only - Sep 03 2022

web bc science 9 online textbook bc science 9 online workbook link to bc science probe 9 online textbook and other resources username and password provided in

science 9 resources mr dhanani burnaby mountain - Aug 02 2022

web assignment model of a dna molecule due tues nov 6 3 23 oct 2018 tue quiz section 4 1 textbook activity 4 2a identify the mutation p 137 notes section 4 2

workbook t a bc science 7 amazon ca - Feb 25 2022

web jun 30 2021 class seven science assignment answer 2021 the science assignment topic is taken from the second chapter of the science book the title of the chapter is

read online bc science 7 workbook answers chapter 9 pdf for - Jan 07 2023

web bc science 7 workbook answers chapter 9 pdf pages 3 30 bc science 7 workbook answers chapter 9 pdf upload mita v grant 3 30 downloaded from support ortax org on

bc science 7 workbook answers chapter 9 full pdf - Sep 22 2021

bc science 9 workbook answers pdf mitosis ion scribd - Apr 10 2023

web 363 different sets of bc science 9 workbook flashcards on quizlet bc science 9 workbook flashcards and study sets quizletbc science 9 workbook answers

bc science 9 workbook answers pdf free download - Jun 12 2023

web jul 4 2023 bc science 7 workbook answers chapter 9 pdf pdf right here we have countless ebook bc science 7 workbook answers chapter 9 pdf pdf and collections

science 9 mrs n gill - Aug 14 2023

web practice your skills using the student centre link on the bc science probe website click on the link below bc science probe 9 safety scientific method chapter

bc science 7 nelson - May 31 2022

web steps for studying for the ch 2 test 1 re read your notes and use your cornell questions to quiz yourself 2 re read pages

40 73 of your textbook 3 be able to define the key

bc science 7 workbook answers chapter 9 pdf pdf vodic - May 11 2023

web of 21 bc science 9 workbook answers comprehension unit 1 atoms elements and safety do s and don ts compounds page 5 chapter 1 atomic theory explains the 1

science 9 biology mr lam s classroom vancouver school - Jul 01 2022

web buy bc science 7 from nelson s online book store teacher s resource 9780070947900 bc science 7 mcgraw hill workbook 10 pack 9780070967533

science 9 workbook answers pdf document - Jul 13 2023

web chapter 7 chemical energy goals of period 7 section 7 1 to describe atoms chemical elements and compounds section 7 2 to discuss the electromagnetic force and physical

bc science 7 workbook answers chapter 9 full pdf ftp popcake - Nov 05 2022

web 11 rows course details text sandner lionel et al bc science 9 mcgraw hill ryerson 2007 sandner lionel et al bc science connections 9 mcgraw hill ryerson 2016

science 9 mr lam s classroom vancouver school board - Oct 04 2022

web variety of exercises to test scientific skills revision questions to reinforce knowledge a glossary e xplaining important terms in each chapter a detailed answer sec tion

bc science 7 workbook answers chapter 9 samantha fowler - Feb 08 2023

web may 11 2023 getting this info get the bc science 7 workbook answers chapter 9 connect that we pay for here and check out the link you could buy lead bc science 7

bc science 7 workbook answers chapter 9 - Oct 24 2021

web bc science 9 textbook chapter 7 yahoo answers bc science 7 workbook answersdownload bc science 7 workbook answers mcgrawwe all know that reading